

brevi reco

Power Harrows



brevi

**Power
Harrows**

recommended ✓



Quality and value you can trust

Proven, robust, efficient and cost-effective agricultural machinery from RECO comes with service and support that will never let you down.

So we are proud to represent Brevi, the Italian brand of farm machinery that in Europe has become synonymous with reliability – as well as outstanding quality and unbeatable value.

As the sole UK distributor of Brevi Power Harrows, we are delighted to offer farmers in this country the opportunity to benefit from machinery which is founded on advanced R&D that responds to the needs of the modern industry. State-of-the-art production facilities, top quality manufacturing and specially sourced steel that combines high tensile strength with elasticity are also key Brevi components.

The highly competitive prices we are able to offer are backed by the rich manufacturing heritage of the Breviglieri (hence Brevi) family. In Italy, the name Breviglieri is associated with 'machines for working the soil'. Since 1949, the company has brought technical innovation to the task of working on the land.

This latest range of power harrows continues that tradition.



recommended ✓

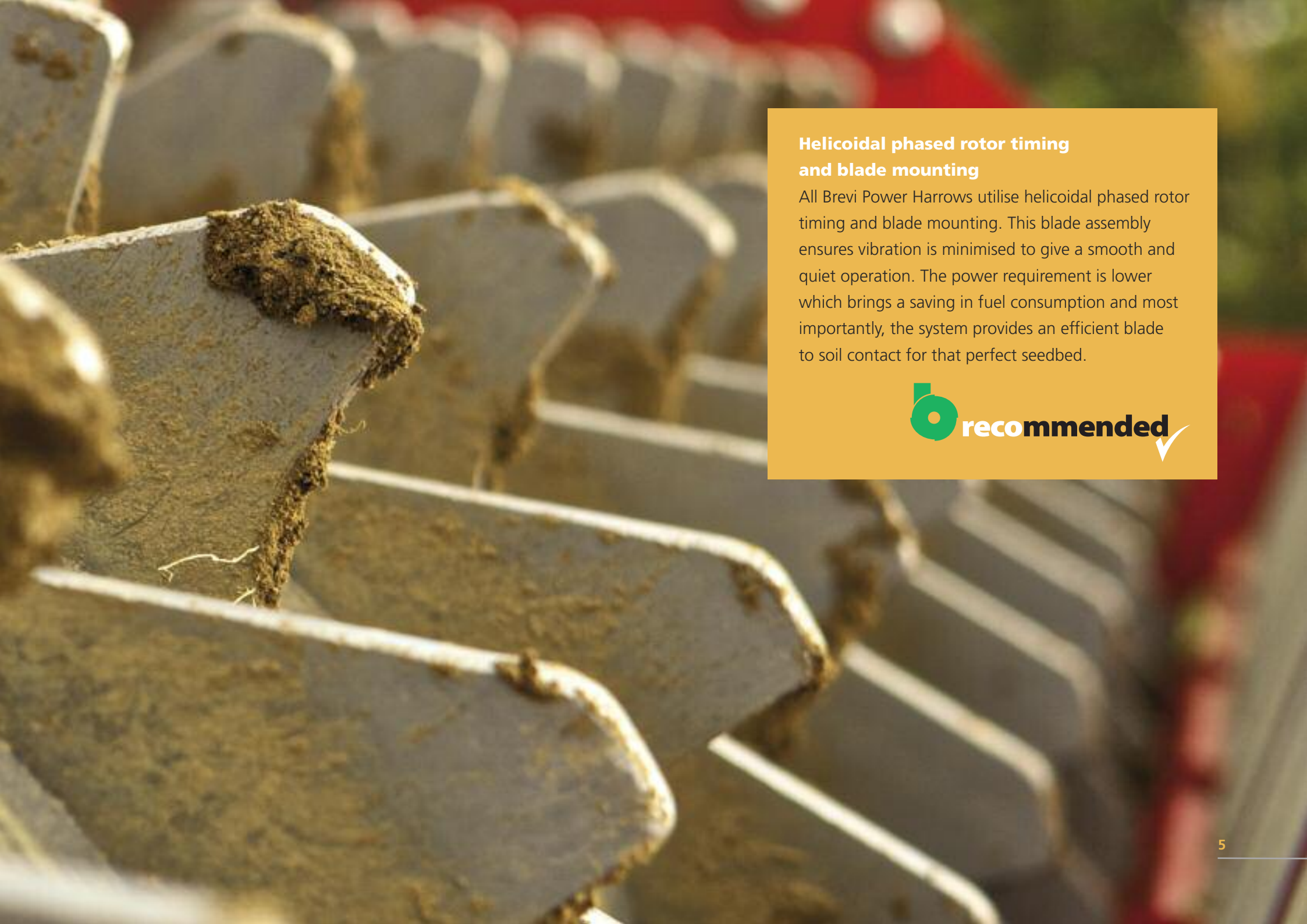
Brevi Power Harrows

Every farmer understands the importance of a well finished seedbed to the subsequent crop germination and yield.

Thanks to continuous product development, Brevi Power Harrows have earned an excellent reputation on small, medium and large farms not only for their performance but also for their time saving and power efficiency. The range includes a number of models in both fixed and folding configurations with working widths ranging from 1.10 to 7.00m and to suit tractors from 30 to 350 horsepower.

Further savings in operating costs are also possible by coupling the power harrow to a seed drill and enabling the two operations in a single pass.





Helicoidal phased rotor timing and blade mounting

All Brevi Power Harrows utilise helicoidal phased rotor timing and blade mounting. This blade assembly ensures vibration is minimised to give a smooth and quiet operation. The power requirement is lower which brings a saving in fuel consumption and most importantly, the system provides an efficient blade to soil contact for that perfect seedbed.



Brevi Folding Power Harrows

Brevi also manufacture a range of folding harrows, enabling larger working widths (up to 7.0m) and compact transport positions.

A simple mechanical adjustment allows the folding harrows to be used either in a fixed or floating position for contour working. (Hydraulic float kit optional on MekFold 220 models and above)

All MekFold models are supplied with SF blades (except 180), rear lights, levelling bar, safety hook and safety valve as standard, offering you great value for money.



MekFold 180

MekFold 180

Rated up to 180hp, this model is available in 3.4, 4.1 and 4.6m working widths.

This model is available with bolted blades only.

Ideal for the small to medium farmer/contractor who wants to have the advantages of a low horsepower but wide machine without the inconvenience of the transport difficulties experienced with a fixed power harrow. The narrow rotor spacing (200mm apart) is closer than on competitor machines, producing a finer tilth and therefore a perfect seedbed every time.



reco



Options available

Eradicator tines

Stone protection

Hydraulic roller adjustment

MekFold 180 Technical data

Model	Tractor power HP	PTO speed rpm	Width (work) cm	Width (transport) cm	Tine no. n.	Tine depth cm	Weight (crumbler roller) KG Ø 450	Weight (packer roller) KG Ø 464
180 – 3.4m	110-180	1000	340	250	32	8-27	1600	1840
180 – 4.1m	120-180	1000	410	250	40	8-27	1735	2000
180 – 4.6m	130-180	1000	460	250	44	8-27	2000	2120

Technical specification

Bearing specification

MekFarmer 150/150 SF/220 SF use a one piece, 'en-bloc' rotor shaft and blade holder support flange.

With support bearings top and bottom, the rotors are able to withstand difficult and demanding working conditions.

The MekFarmer 220 SF has a special plate under the top bearing to retain the bearing components in the unlikely event of failure.

Extra support is supplied from the gear tray manufactured using a special 'Domex' steel – this provides strength with flexibility for long-term reliability.

The stone collar protectors and double labyrinth protect the bottom rotor shaft seals and bearings from soil contamination. The round blade holders and collar protections also prevent stones and clods from damaging the underside of the flat-bottomed gear tray.

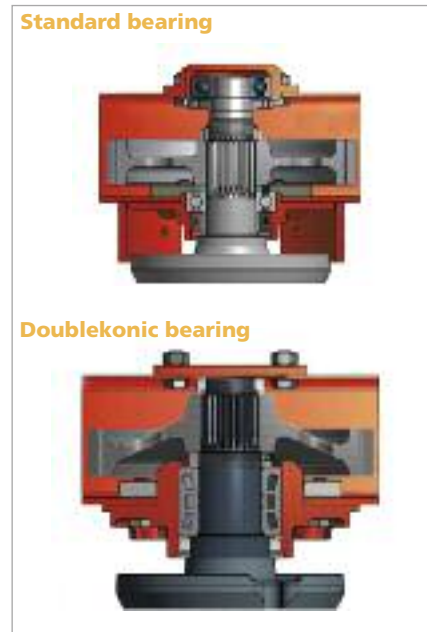
The geartray underside profile has been proven for its strength and reliability over many years.

Doublekonic

The MekFarmer 240 SF Doublekonic and MekFold 350 SF Doublekonic both feature the special 'Doublekonic' bearing system.

This is a double tapered roller bearing enclosed in a one-piece cartridge, offering greater strength and support at higher horsepowers.

Model	Thickness of flat plan steel steel	Diameter of tine holder with shaft	Main PTO shaft protection
MekFarmer 80	5mm	45mm	shear-bolt
MekFarmer 100	5mm	45mm	shear-bolt
MekFarmer 120	5mm	50mm	disc-clutch
MekFarmer 150	5mm	50mm	disc-clutch
MekFarmer 150 SF	5mm	50mm	disc-clutch
MekFarmer 220 SF	7mm	55mm	cam-clutch
MekFarmer 240 SF Doublekonic	7mm	55mm	cam-clutch
MekFold 180	5mm	45mm	disc-clutch
MekFold 220 SF	5mm	50mm	cam-clutch
MekFold 260 SF	5mm	50mm	cam-clutch
MekFold 300 SF	7mm	50mm	cam-clutch
MekFold 350 SF Doublekonic	7mm	50mm	cam-clutch



Blades

Blade detail (mm)

MekFarmer 80	260x12
MekFarmer 100	260x12
MekFarmer 120	300x15
MekFarmer 150	300x15
MekFarmer 150 SF	300x15
MekFarmer 220 SF	320x16
MekFarmer 240 SF	320x16
MekFold 180	270x12
MekFold 220 SF	320x16
MekFold 260 SF	300x15
MekFold 300 SF	320x16
MekFold 350 SF Doublekonic	320x16



Blade assembly

Brevi Power Harrows feature a special configuration of blade mounting and phased rotor timing. Phased rotor timing ensures that the blades' leading (striking) edge is staggered across the bed width (see diagram A) producing the following benefits:

Eliminated vibrations – resulting in a smooth and quiet operation

Reduced absorption of power – increased savings in fuel consumption

Efficient blade-soil contact – for a perfect seedbed.



Diagram A



Super-Fast Blades

This system makes replacing blades a breeze! Brevi were the first power harrow manufacturer to introduce quick-release blades and today, their Super-Fast system is one of the quickest and easiest on the market. The Super-Fast blade system is completely tool-free and simply involves the removal of a single lynch pin.

Main gearbox speed ratios

	Gears		540 RPM	1000 RPM	
MekFarmer 80	-	-	324	-	Standard
MekFarmer 100, 120	17	16	311	-	Standard
	16	17	275	-	Standard
	18	15	352	-	Option
	15	18	244	-	Option
	12	21	-	309	Option
	13	20	-	352	Option
MekFarmer 150, 150 SF	32	24	348	-	Standard
	24	32	-	362	Standard
	30	26	301	-	Option
	33	23	374	-	Option
	25	31	-	389	Option
	22	34	-	312	Option
MekFarmer 220 SF,	18	19	-	332	Standard
240 SF Ultrakonic	19	18	-	371	Standard
	16	21	-	267	Option
	21	16	-	461	Option
	17	20	-	298	Option
	20	17	-	413	Option
MekFold 180	-	-	-	310	Standard
MekFold 220 SF, 260 SF	12	21	-	310	Standard
	13	20	-	252	Standard
MekFold 300 SF,	17	18	-	324	Standard
350 SF	18	17	-	363	Standard
	16	19	-	288	Option
	19	16	-	407	Option



reco

agricultural & groundcare machinery

brampton road, huntingdon, cambs, pe29 3bs

01480 455151

sales@reco.co.uk

www.reco.co.uk

