

brevi reco

Power Harrows



brevi

**Power
Harrows**

recommended





Quality and value you can trust

Proven, robust, efficient and cost-effective agricultural machinery from RECO comes with service and support that will never let you down.

So we are proud to represent Brevi, the Italian brand of farm machinery that in Europe has become synonymous with reliability – as well as outstanding quality and unbeatable value.

As the sole UK distributor of Brevi Power Harrows, we are delighted to offer farmers in this country the opportunity to benefit from machinery which is founded on advanced R&D that responds to the needs of the modern industry. State-of-the-art production facilities, top quality manufacturing and specially sourced steel that combines high tensile strength with elasticity are also key Brevi components.

The highly competitive prices we are able to offer are backed by the rich manufacturing heritage of the Breviglieri (hence Brevi) family. In Italy, the name Breviglieri is associated with 'machines for working the soil'. Since 1949, the company has brought technical innovation to the task of working on the land.

This latest range of power harrows continues that tradition.



recommended ✓

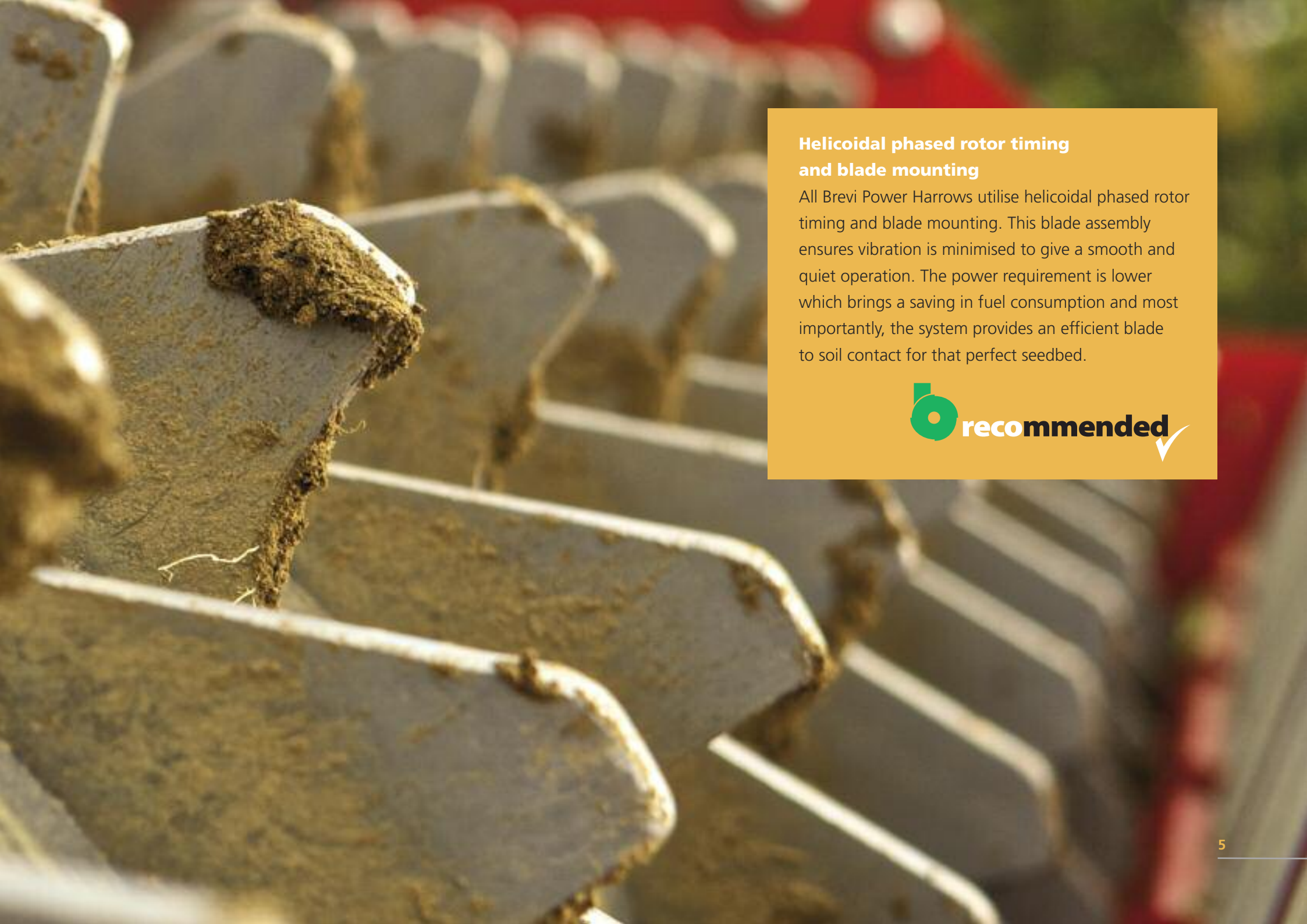
Brevi Power Harrow

Every farmer understands the importance of a well finished seedbed to the subsequent crop germination and yield.

Thanks to continuous product development, Brevi Power Harrows have earned an excellent reputation on small, medium and large farms not only for their performance but also for their time saving and power efficiency. The range includes a number of models in both fixed and folding configurations with working widths ranging from 1.10 to 7.00m and to suit tractors from 30 to 350 horsepower.

Further savings in operating costs are also possible by coupling the power harrow to a seed drill and enabling the two operations in a single pass.





Helicoidal phased rotor timing and blade mounting

All Brevi Power Harrows utilise helicoidal phased rotor timing and blade mounting. This blade assembly ensures vibration is minimised to give a smooth and quiet operation. The power requirement is lower which brings a saving in fuel consumption and most importantly, the system provides an efficient blade to soil contact for that perfect seedbed.



MekFarmer 80/100

MekFarmer 80

The smallest of the Brevi portfolio, rated for tractors up to 80hp and offering a range of working widths between 1.1 – 1.9m.

MekFarmer 100

Rated for tractors up to 100hp, the MekFarmer 100 range is available in working widths between 2.0 – 3.0m.

Both the 80 and 100 ranges have rotors spaced at 200mm apart – a smaller spacing than competitor machines which offers the benefit of producing a finer tilth. All Brevi Power Harrows (except MekFarmer 80) feature a rear PTO as standard.





Options available

Eradicator tines

Stone protection

Mechanical roller adjuster kit*

* Mek 100 only

reco

MekFarmer 80 Technical data

Model	Tractor power HP	PTO speed rpm	Width (work) cm	Width (transport) cm	Tine no. n.	Tine depth cm	Weight (crumbler roller) KG	Weight (packer roller) KG
							Ø 370	Ø 406
80 – 1.1m	30-80	540	110	113	10	8-26	308	342
80 – 1.3m	40-80	540	130	133	12	8-26	338	396
80 – 1.5m	50-80	540	150	153	14	8-26	368	450
80 – 1.7m	60-80	540	170	173	16	8-26	398	504
80 – 1.9m	70-80	540	190	193	18	8-26	428	558

MekFarmer 100 Technical data

Model	Tractor power HP	PTO speed rpm	(optional) PTO rpm	Width (work) cm	Width (transport) cm	Tine no. n.	Tine depth cm	Weight (crumbler roller) KG	Weight (packer roller) KG
								Ø 405	Ø 464
100 – 2.0m	60-100	540	1000	200	205	20	8-26	670	810
100 – 2.3m	65-100	540	1000	230	235	22	8-26	700	860
100 – 2.5m	70-100	540	1000	250	255	24	8-26	750	910
100 – 3.0m	80-100	540	1000	298	300	28	8-26	850	1010

Technical specification

Bearing specification

MekFarmer 150/150 SF/220 SF use a one piece, 'en-bloc' rotor shaft and blade holder support flange.

With support bearings top and bottom, the rotors are able to withstand difficult and demanding working conditions.

The MekFarmer 220 SF has a special plate under the top bearing to retain the bearing components in the unlikely event of failure.

Extra support is supplied from the gear tray manufactured using a special 'Domex' steel – this provides strength with flexibility for long-term reliability.

The stone collar protectors and double labyrinth protect the bottom rotor shaft seals and bearings from soil contamination. The round blade holders and collar protections also prevent stones and clods from damaging the underside of the flat-bottomed gear tray.

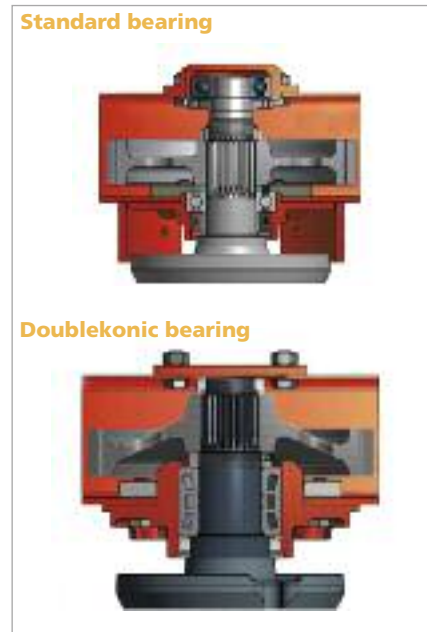
The geartray underside profile has been proven for its strength and reliability over many years.

Doublekonic

The MekFarmer 240 SF Doublekonic and MekFold 350 SF Doublekonic both feature the special 'Doublekonic' bearing system.

This is a double tapered roller bearing enclosed in a one-piece cartridge, offering greater strength and support at higher horsepowers.

Model	Thickness of flat plan steel steel	Diameter of tine holder with shaft	Main PTO shaft protection
MekFarmer 80	5mm	45mm	shear-bolt
MekFarmer 100	5mm	45mm	shear-bolt
MekFarmer 120	5mm	50mm	disc-clutch
MekFarmer 150	5mm	50mm	disc-clutch
MekFarmer 150 SF	5mm	50mm	disc-clutch
MekFarmer 220 SF	7mm	55mm	cam-clutch
MekFarmer 240 SF Doublekonic	7mm	55mm	cam-clutch
MekFold 180	5mm	45mm	disc-clutch
MekFold 220 SF	5mm	50mm	cam-clutch
MekFold 260 SF	5mm	50mm	cam-clutch
MekFold 300 SF	7mm	50mm	cam-clutch
MekFold 350 SF Doublekonic	7mm	50mm	cam-clutch



Blades

Blade detail (mm)

MekFarmer 80	260x12
MekFarmer 100	260x12
MekFarmer 120	300x15
MekFarmer 150	300x15
MekFarmer 150 SF	300x15
MekFarmer 220 SF	320x16
MekFarmer 240 SF	320x16
MekFold 180	270x12
MekFold 220 SF	320x16
MekFold 260 SF	300x15
MekFold 300 SF	320x16
MekFold 350 SF Doublekonic	320x16



Blade assembly

Brevi Power Harrows feature a special configuration of blade mounting and phased rotor timing. Phased rotor timing ensures that the blades' leading (striking) edge is staggered across the bed width (see diagram A) producing the following benefits:

Eliminated vibrations – resulting in a smooth and quiet operation

Reduced absorption of power – increased savings in fuel consumption

Efficient blade-soil contact – for a perfect seedbed.



Diagram A



Super-Fast Blades

This system makes replacing blades a breeze! Brevi were the first power harrow manufacturer to introduce quick-release blades and today, their Super-Fast system is one of the quickest and easiest on the market. The Super-Fast blade system is completely tool-free and simply involves the removal of a single lynch pin.

Main gearbox speed ratios

	Gears	540 RPM	1000 RPM	
MekFarmer 80	-	-	324	- Standard
MekFarmer 100, 120	17	16	311	- Standard
	16	17	275	- Standard
	18	15	352	- Option
	15	18	244	- Option
	12	21	-	309 Option
	13	20	-	352 Option
MekFarmer 150, 150 SF	32	24	348	- Standard
	24	32	-	362 Standard
	30	26	301	- Option
	33	23	374	- Option
	25	31	-	389 Option
	22	34	-	312 Option
MekFarmer 220 SF,	18	19	-	332 Standard
240 SF Ultrakonic	19	18	-	371 Standard
	16	21	-	267 Option
	21	16	-	461 Option
	17	20	-	298 Option
	20	17	-	413 Option
MekFold 180	-	-	-	310 Standard
MekFold 220 SF, 260 SF	12	21	-	310 Standard
	13	20	-	252 Standard
MekFold 300 SF,	17	18	-	324 Standard
350 SF	18	17	-	363 Standard
	16	19	-	288 Option
	19	16	-	407 Option



reco

agricultural & groundcare machinery

brampton road, huntingdon, cambs, pe29 3bs

01480 455151

sales@reco.co.uk

www.reco.co.uk

